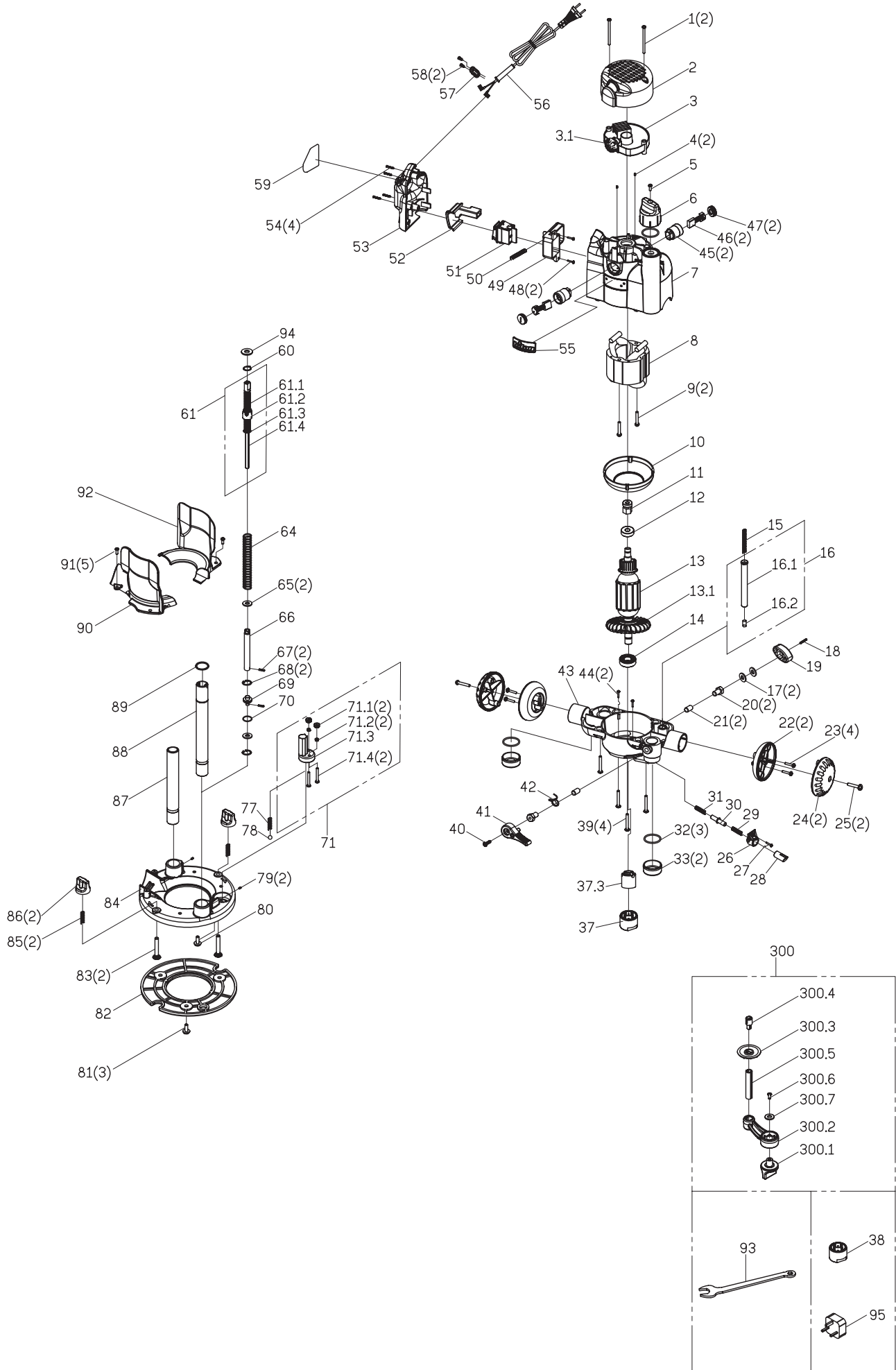


Compact Precision Plunge Router - JOF001



Compact Precision Plunge Router - JOF001

Diag. Ref.	Part No.	Description	Quantity	Comments
1	41019A101R	SCREW MOTOR TOP COVER	2	
2	0681020205R	MOTOR TOP COVER	1	
3	A681026201RV1	SPEED CONTROLLER	1	
3.1	0681020234R-37	KNOB SPEED CONTROLLER	1	
4	410072022R	SET SCREW	2	
5	410139008R	PAN HD SCREW	1	
6	0681030201R	MICRO ADJUST KNOB	1	
7	0681030203R-37	UPPER MOTOR BODY	1	
8	A681030402R	FIELD	1	
9	410582001R	PAN HD SELF-TAP SCREW/WAS	2	
10	0681030214R	FAN SHROUD	1	
11	0681010251R	MAGNET RING MOUNT ASS'Y	1	
12	420011208R	BALL BEARING	1	
13	A681030302R	ARMATURE ASS'Y	1	
14	420010001R	BALL BEARING	1	
15	0681010908R	SPRING DEPTH STOP ROD	1	
16	A681036901R	TUBE, DEPTH STOP ASS'Y	1	
16.1	0681030803R	TUBE, DEPTH STOP	1	
16.2	0681010227R	DEPTH STOP ROD PLUG	1	
17	412011021R	FLAT WASHER	2	
18	410151011R	HEX SOC HD SCREW	1	
19	0681020209R	KNOB DEPTH STOP	1	
20	0681030902R	SPECIAL SCREW	2	
21	0681030903RV1	COPPER PAD	2	
22	0681010267R	FIXED HANDLE INER	2	
23	410542002R	PAN HD SCREW	4	
24	0681010268R	FIXED HANDLE OUTERRUBBERISEDABS	2	
25	41045A008R	SCREW	2	
26	0681010232R	SHAFT LOCK BUTTON	1	
27	41054A001R	PAN HD SCREW	1	
28	0681020216R	NOSE SHAFT LOCK	1	
29	0681010917R	SPRING SHAFT LOCK BUTTON	1	
30	0681010916R	SHAFT LOCK PIN	1	
31	0681010915R	INNER SPRING,SHAFT LOCK	1	
32	0681035001R	POST DUST SEAL STRIP	3	
33	0681030210R	POST DUST SEAL CAP	2	
37	A681020901R	1/2" CHUCK ASS'Y	1	
37.3	0681020912R	COLLET SHAFT	1	
38	A681020904R	12mm COLLET ASSEMBLY	1	
39	410193A04R	SELF-TAP PAN HD SCREW	4	

Compact Precision Plunge Router - JOF001

Diag. Ref.	Part No.	Description	Quantity	Comments
40	41019A005R	SCREW PLUNGE LOCK BOLT	1	
41	0681020214R	PLUNGE LOCK LEVER	1	
42	0681020904R	SPRING PLUNGE LOCK LEVER	1	
43	0681030101R-114	LOWER MOTOR BODY	1	
44	410548014R	Cross Recessed Truss Head	2	
45	0251010216R	BRUSH HOLDER	2	
46	0251015001R	BRUSH	2	
47	0251010217R	BRUSH HOLDER CAP	2	
48	410452013R	SCREW CORD RESTRAINT	2	
49	0681030204R-37	HOUSING COVER SWITCH	1	
50	0681020911R	SPRING SWITCH COVER	1	
51	452020014R	WATER-PROOF SWITCH	1	
52	0681030206R	SWITCH SLIDE COVER	1	
53	0681030205R-37	SWITCH COVER	1	
54	41056A011R	SELF TAPPING SCREW	4	
55	0681030212R-37	NAME LABEL	1	
56	0681020705R	POWER CORD	1	
57	0101040203R	CORD CLAMP	1	
58	41056A004R	SELF TAPPING SCREW	2	
59	9681035893101R	RATING LABEL	1	
60	413011017R	RETAIN RING	1	
61	A681033801R	ELEVATION THREAD ROD	1	
61.1	0681030801R	ELEVATION THREAD ROD	1	
61.2	0681030501R	ROUND NUT'	1	
61.3	412011181R	FLAT WASHER	1	
61.4	0681030802R	ELEVATION SHAFT	1	
64	0681030901R	MAIN SPRING	1	
65	412012186R	FLAT WASHER	2	
66	0681030301R	GUIDE TUBE	1	
67	41401A036R	PIN	2	
68	413091007R	INT'RETAINING RING	2	
69	0681030904R	DRIVE HEAD	1	
70	441010026R	O-TYPE RING	1	
71	A681016403R	TURRET ASS'Y	1	
77	0681010923R	SPRING FENCE ATTACHMENT KNOB	1	
78	0681010952R	TURRET DETENT BALL	1	
79	41007F005R	SET SCREW	2	
80	41056A004R	SELF TAPPING SCREW	1	
81	41013A728R	PAN HD SCREW	3	
82	0681030207R	BASE PLATE	1	

Compact Precision Plunge Router - JOF001

Diag. Ref.	Part No.	Description	Quantity	Comments
83	0681010805R	M6x40mm COACH BOLT	2	
84	0681030102R-114	BASE	1	
85	0681010922R	SPRING FENCE ATTACHMENT KNOB	2	
86	0681010234RV1	FENCE ATTACHMENT KONB	2	
87	0681030905R	SMOOTH POST	1	
88	0681030906R	RAKC POST	1	
89	0681020908R	SNAP RING RACK POST 20mm	1	
90	0681030208R	FRONT CHIP SHIELD	1	
91	410132008R	PAN HD SCREW	5	
92	0681030209R	REAR CHIP SHIELD	1	
93	0681010314R	WRENCH	1	
94	412012183R	FLAT WASHER	1	
95	451070004R	SCP Plug	1	
300	A681034401R	TABLE WINDER HANDLE	1	
300.1	0681020226RV1	MICRO HEIGHT ADJUSTERKNOB	1	
300.2	0681020227R	MICRO HEIGHT CRANK ARM	1	
300.3	0681020233R	MICRO HEIGHT DRIVE TUBE	1	
300.4	0681020501R	MICRO HEIGHT UNIVERSAL	1	
300.5	0681031801R	MICRO HEIGHT CONNECTION TUBE	1	
300.6	41056A013R	SELF TAPPING SCREW	1	
300.7	41201A108R	FLAT WASHER	1	
901	9681035890901R	CARTON	1	
902	9681035890501R	MANUAL	1	
905	438033010R	PLASTIC BAG	1	
906	438013078R	PLASTIC BAG	1	
907	9681030000601R	POLYLON	1	
908	438110020R	PE FILM	1	
910	9681010004701	LABEL	1	